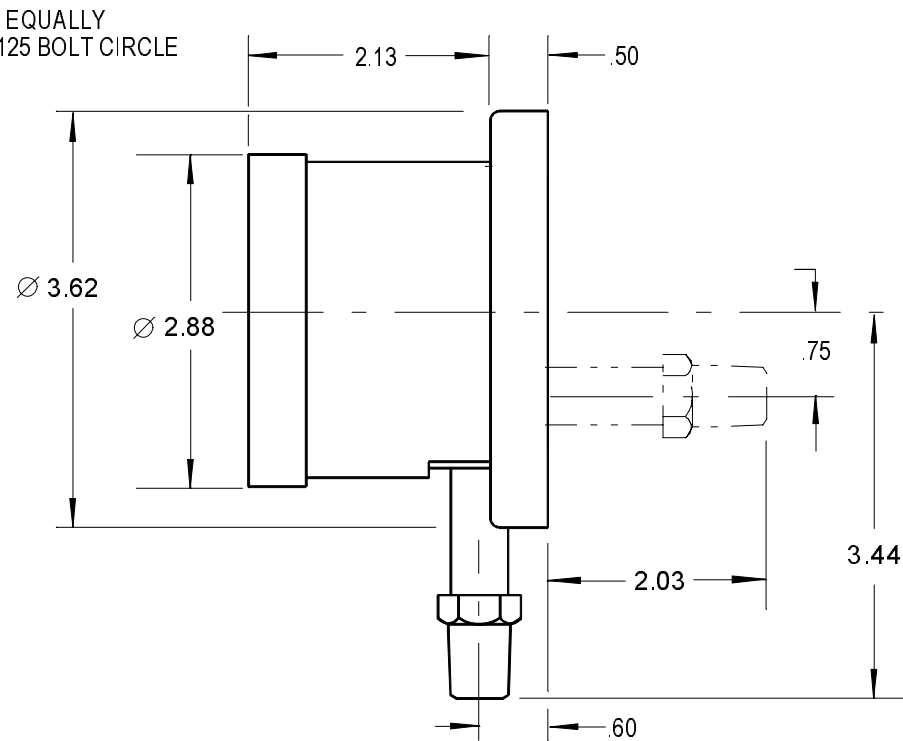
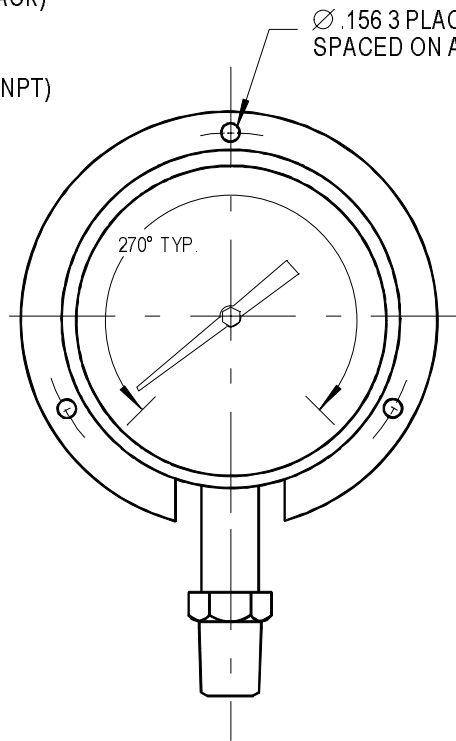


NOTES:

REF. BUL. 100 & T-103 FOR THE FOLLOWING:

- b - ACCURACY CODE
- e - POINTER TYPE
- f - DIAL TRIM
- gg - PRESSURE RANGE CODE (T-103)
- h - CASE COLOR - CODE A (BLACK)  
IS STANDARD
- i - FITTING LOCATION
- j - FITTING TYPE - CODE 1 (1/4 NPT)  
IS STANDARD
- k - OPTIONS



REVISIONS

REV	DESCRIPTION	DATE	APPROVED

UNLESS OTHERWISE SPECIFIED  
DIMENSIONS ARE IN INCHES

MATERIAL:

ABS or EQUAL

CONTRACT NO.

**PERMA-CAL INDUSTRIES, INC.**

ANGULAR	± 1°
LINEAR .XX	± .030
LINEAR .XXX	± .015
FRACTIONAL	± 1/16

PREP BY	PAL	DATE	7/19/2007
CHECK			
PROJ ENGR			

**GAUGE, 2 1/2" REAR FLANGE**

DIAMETERS ON SAME C/L  
RUNOUT WITHIN .016 FIR

FINISH:

USED ON:  
INDUSTRIAL GAUGES

SIZE	CODE IDENT NO.	DRAWING NO.	REV
<b>A</b>	<b>59018</b>	1b3Refgghij-k	N/C

✓ SURFACE ROUGHNESS  
USAS B46.1

FILE NAME:  
1b3Refgghij

SCALE	WEIGHT	SHEET	OF
NONE		1	1