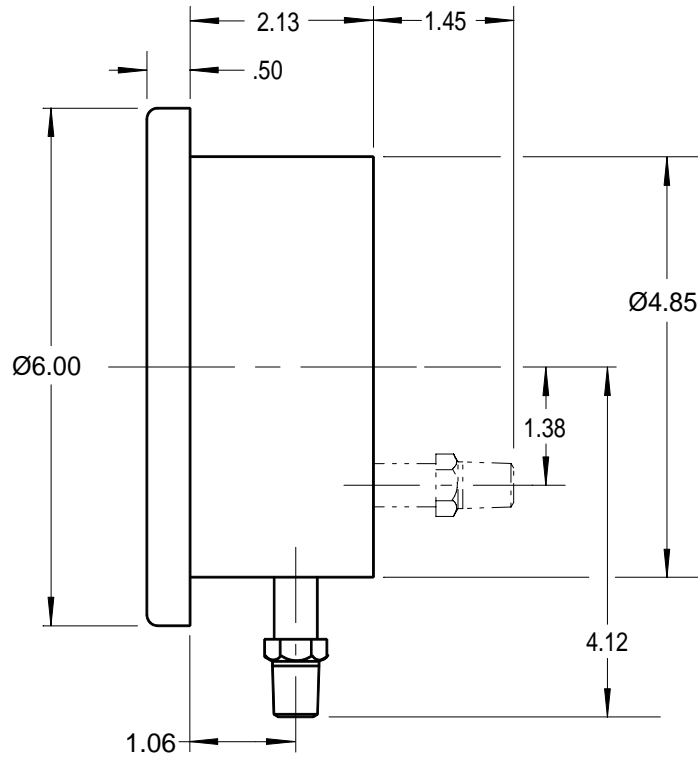
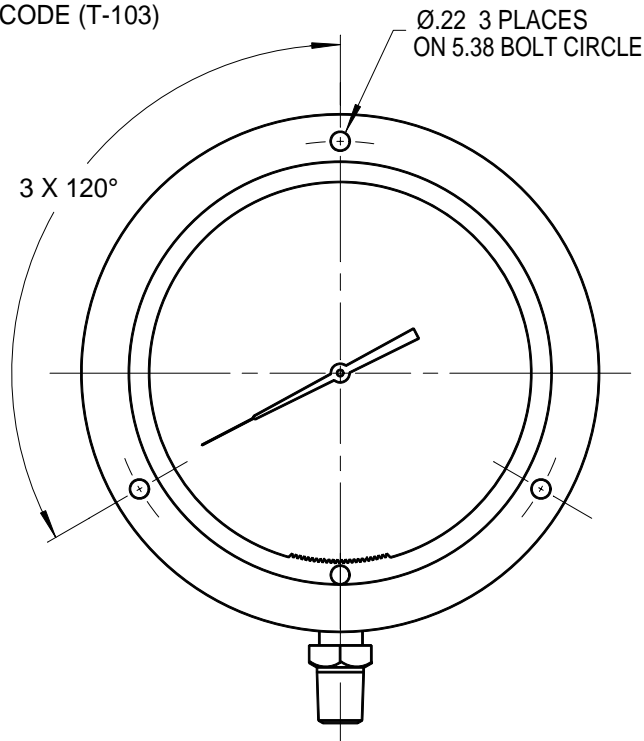


NOTES:  
REF. BUL. 100 & T-103 FOR THE FOLLOWING:

- b - ACCURACY CODE
- e - POINTER TYPE
- f - DIAL TRIM
- gg - PRESSURE RANGE CODE (T-103)
- h - CASE COLOR
- i - FITTING LOCATION
- j - FITTING TYPE
- k - OPTIONS



REVISIONS			
REV	DESCRIPTION	DATE	APPROVED

UNLESS OTHERWISE SPECIFIED DIMENSIONS ARE IN INCHES		MATERIAL:  ABS or EQUAL		CONTRACT NO.		<b>PERMA-CAL INDUSTRIES, INC.</b>			
ANGULAR           ± 0° 30'		FINISH:		DATE					
LINEAR            .XX     ± .031				PREP BY     AMJ     7/18/2001					
FRACTIONAL     .XXX    ± .015				CHECK					
CORNER AND FILLET RAD. .005-.015 REMOVE ALL BURRS		PROJ ENGR   REH     10/03/2015		USED ON: INDUSTRIAL GAUGES		SIZE <b>A</b>	CODE IDENT NO. <b>59018</b>	DRAWING NO. <b>1b1Fefggghij-k</b>	REV <b>N/C</b>
DIAMETERS ON SAME C/L RUNOUT WITHIN _____ FIR		FILE NAME: <b>1b1Fefggghij</b>		SCALE <b>1 : 2</b>		WEIGHT <b>1.1 lbs nom</b>		SHEET <b>1</b> OF <b>1</b>	
SURFACE ROUGHNESS USAS B46.1									