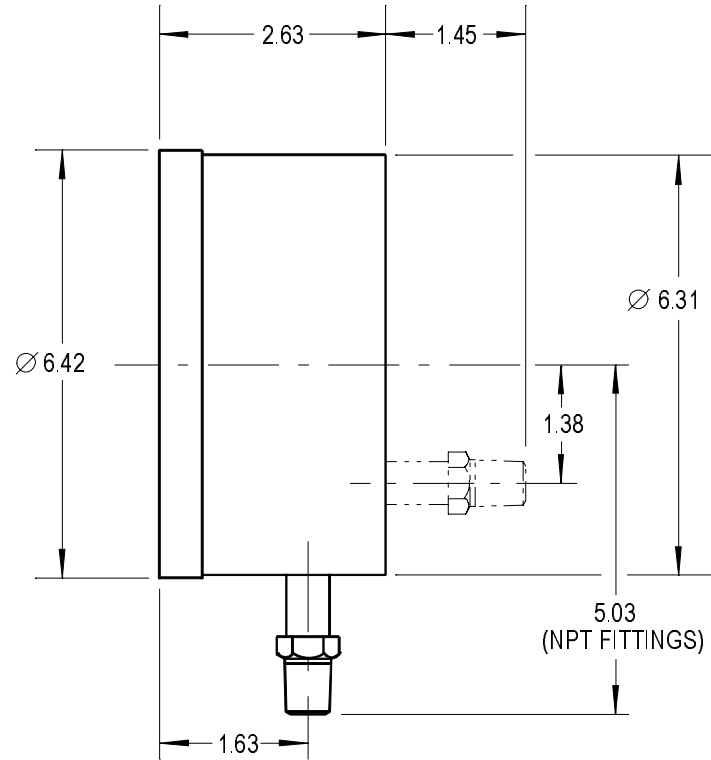
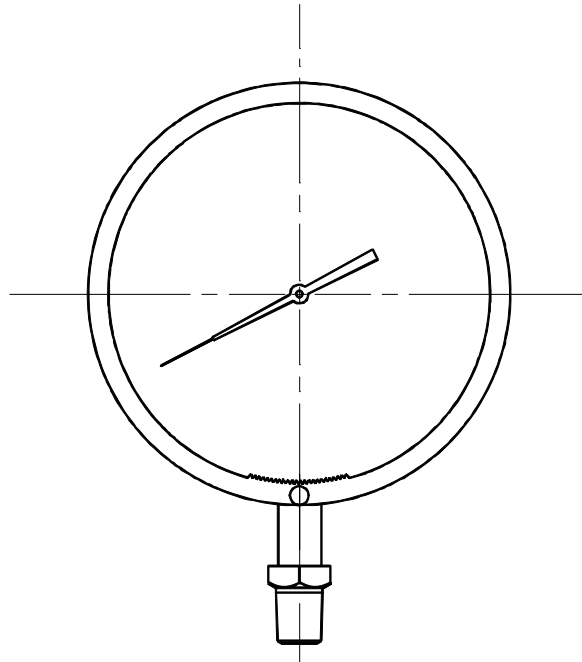


NOTES:
REF. BUL. 100 & T-103 FOR THE FOLLOWING:

- b - ACCURACY CODE
- e - POINTER TYPE
- f - DIAL TRIM
- gg - PRESSURE RANGE CODE (T-103)
- h - CASE COLOR
- i - FITTING LOCATION
- j - FITTING TYPE
- k - OPTIONS



REVISIONS			
REV	DESCRIPTION	DATE	APPROVED

UNLESS OTHERWISE SPECIFIED DIMENSIONS ARE IN INCHES	MATERIAL: ABS or EQUAL	CONTRACT NO.	
		PREP BY	DATE
ANGULAR ± 0° 30'	FINISH:	PAL	5/09/2007
LINEAR .XX ± .03		CHECK	
FRACTIONAL .XXX ± .015		PROJ ENGR	5/21/2007
CORNER AND FILLET RAD. .005-.015 REMOVE ALL BURRS	USED ON: INDUSTRIAL GAUGES	FILE NAME: 1b0Nefgghij	
DIAMETERS ON SAME C/L RUNOUT WITHIN _____ FIR		SCALE	WEIGHT
✓ SURFACE ROUGHNESS USAS B46.1			

PERMA-CAL INDUSTRIES, INC.			
PRESSURE GAUGE, 6", NO FLANGE CASE			
SIZE A	CODE IDENT NO. 59018	DRAWING NO. 1b0Nefgghij-k	REV N/C